

INSTALLATION INSTRUCTIONS

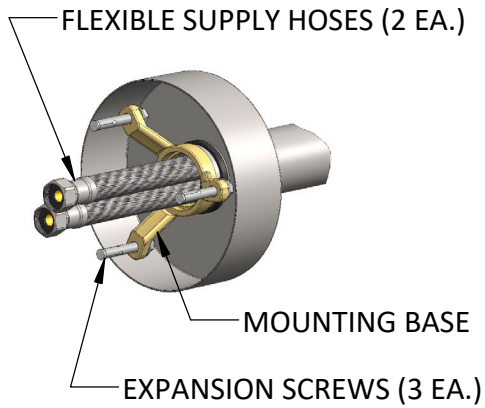
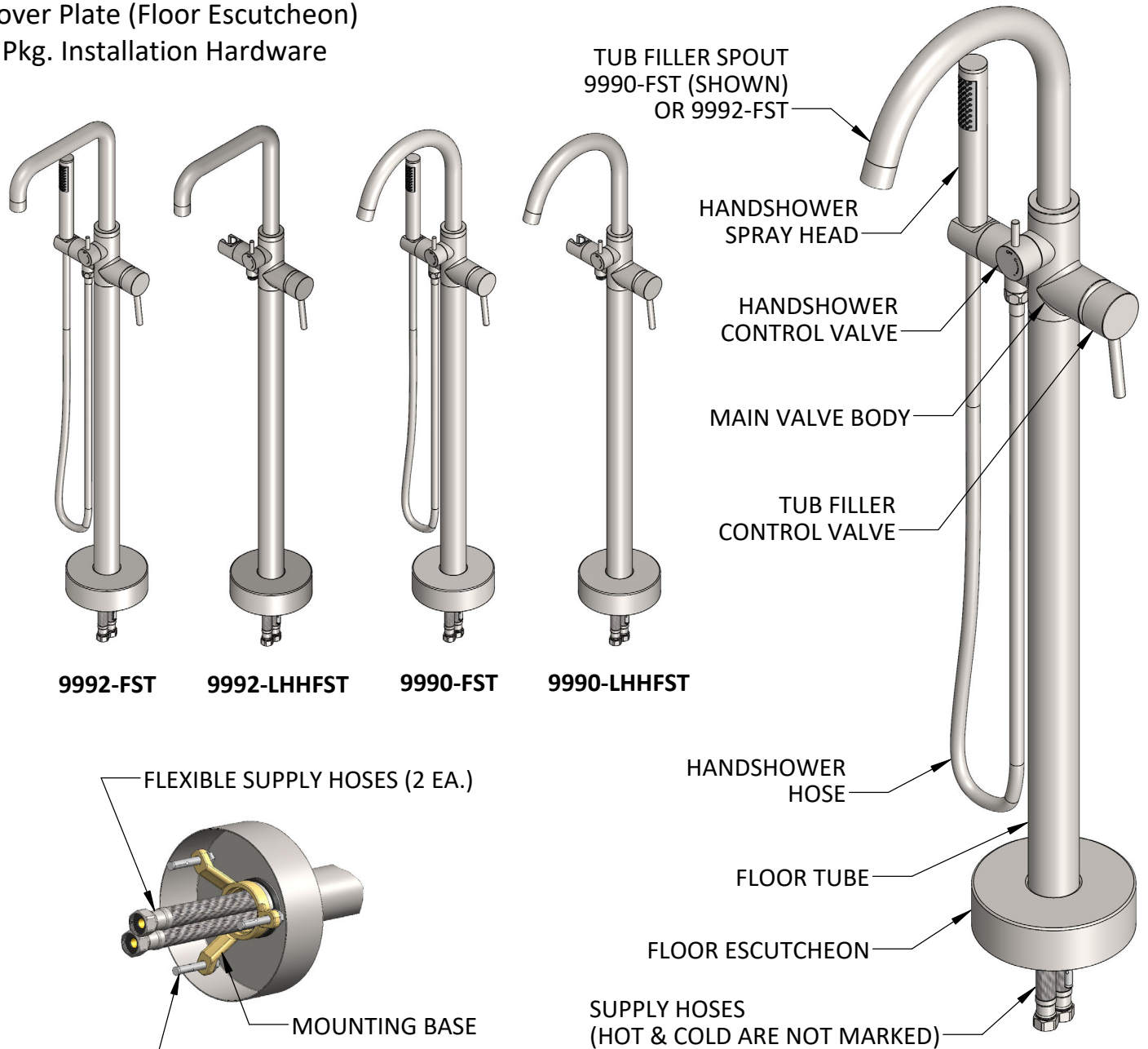
Freestanding Tub Filler Sets

Part #9990-FST, 9990-LHHFST, 9992-FST, 9992-LHHFST



Materials provided:

- Freestanding Tub Filler Faucet
- Handshower & Hose (included on the 9990-FST & 9992-FST only)
- Cover Plate (Floor Escutcheon)
- 1 Pkg. Installation Hardware



Component Identification

INSTALLATION INSTRUCTIONS

Freestanding Tub Filler Sets

Part #9990-FST, 9990-LHHFST, 9992-FST, 9992-LHHFST

JACLO®

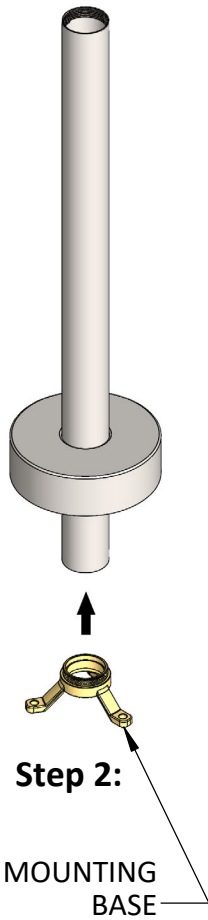
Confidence from start to finish.™

FLOOR TUBE



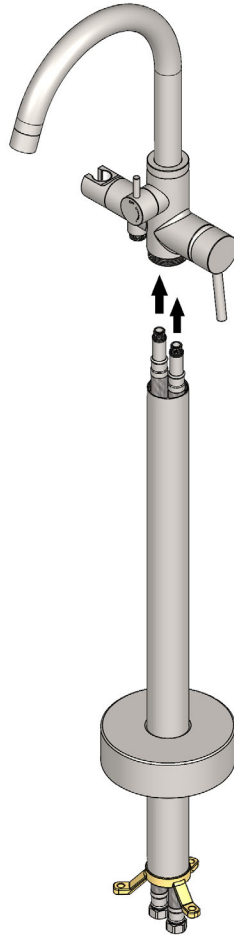
Step 1:

FLOOR
ESCUTCHEON



Step 2:

MOUNTING
BASE



Step 3:

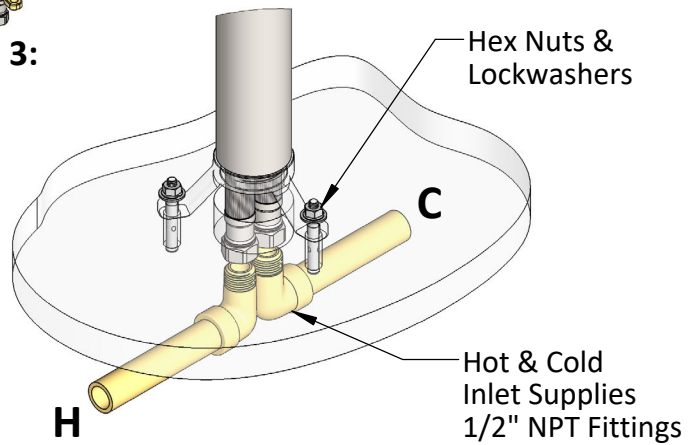
TUB FILLER SPOUT
9990-FST OR
9992-FST

HANDSHOWER CONTROL
(TEMPERATURE & FLOW)

TUB FILLER CONTROL
(TEMPERATURE & FLOW)

FLOOR TUBE

Step 4:



Steps 5, 6 & 7:

See page #3 for step by step detailed instructions:

INSTALLATION INSTRUCTIONS

Freestanding Tub Filler Sets

Part #9990-FST, 9990-LHHFST, 9992-FST, 9992-LHHFST



Note: The hole size in floor should be a minimum 2" diameter and maximum 4" diameter.

Step 1: Use Mounting Base as template for hole size. Prepare plumbing in floor (**see Steps 5 & 6**) ensure a minimum of 1" between fittings as you will need to use 7/8" open end wrench or a basin wrench to tighten supply lines to the fittings, using appropriate sealant.

Note: Preparation, treat this tub filler like a faucet installation, whereas separate hot and cold shut-offs are recommended to be installed up line from the 1/2" NPT fittings.

Note: Once assembled, the supply hoses protrude from the bottom of mounting base approximately 4 1/2" Slide the Floor Escutcheon onto the Floor Tube.

Step 2: Thread the Mounting Base onto the Floor Tube.

Step 3: Thread the hot and cold Supply Hoses up from bottom of the Floor Tube.

Note: Make the cold connection first, and mark the bottom of the hose for identification for Step 6.

Step 4: Thread the Floor Tube up and into the Valve Body.

Step 5: Placing entire unit over the hole, mark the Mounting Base holes.

Note: If using the fasteners provided, drill 5/16" holes, a 3/8" socket is recommended for securing the nuts.

Step 6: Attach hoses to the fittings.

Step 7: Secure the Mounting Base to the floor, then slide Floor Escutcheon down flush to the floor surface.

IMPORTANT: When the installation is complete, remove Handshower Spray Head and Tub Filler Spout Aerator, then flush system to avoid any waterway or control valve restrictions.

To learn more about JACLO's warranty, please visit [**jaclo.com**](http://jaclo.com)